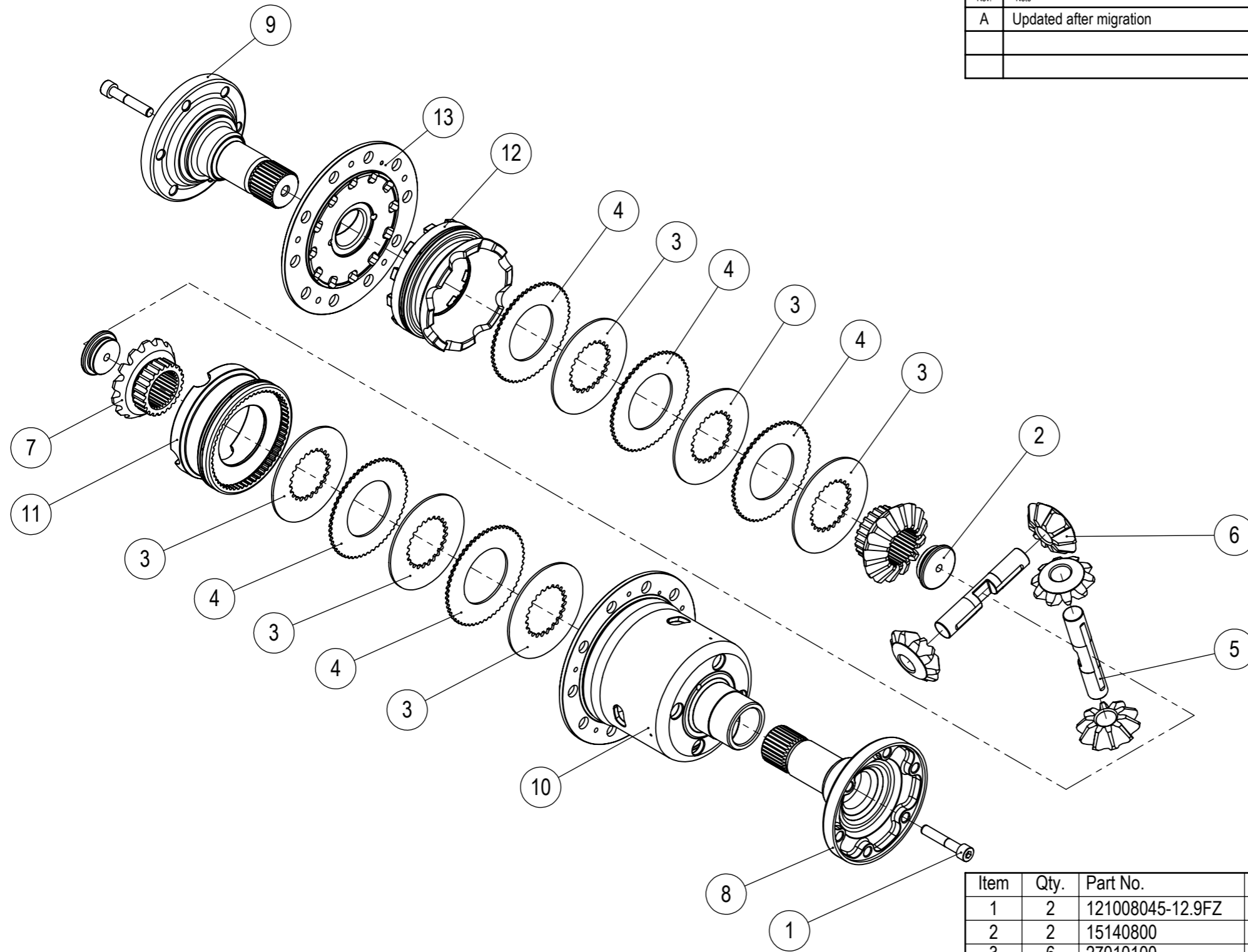


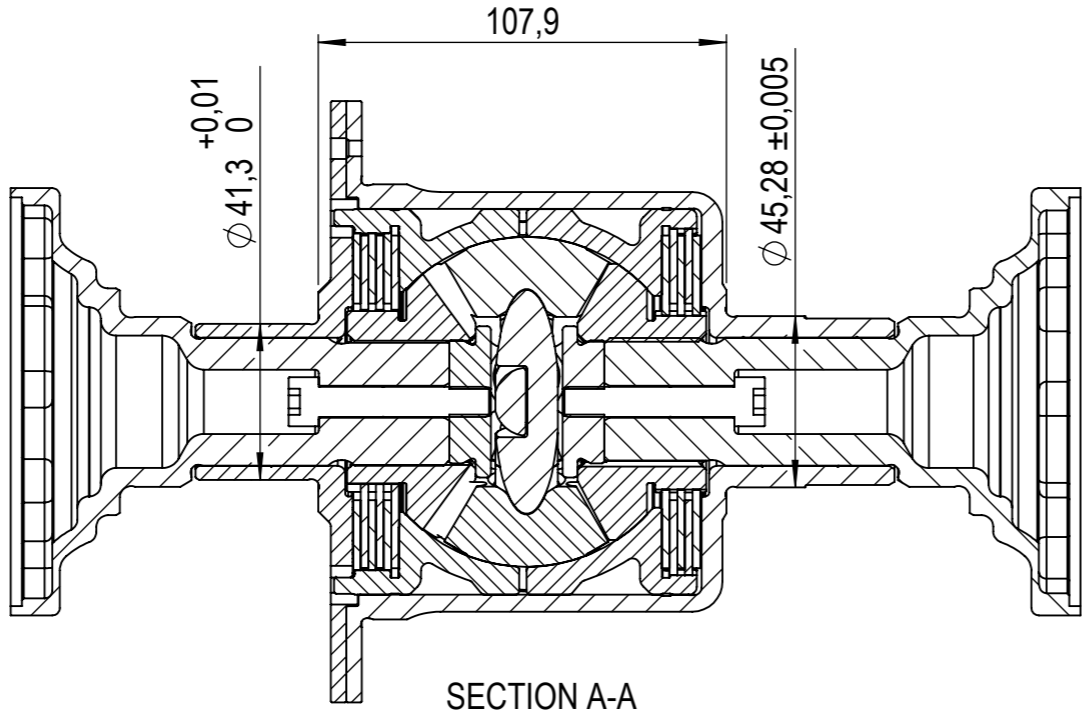
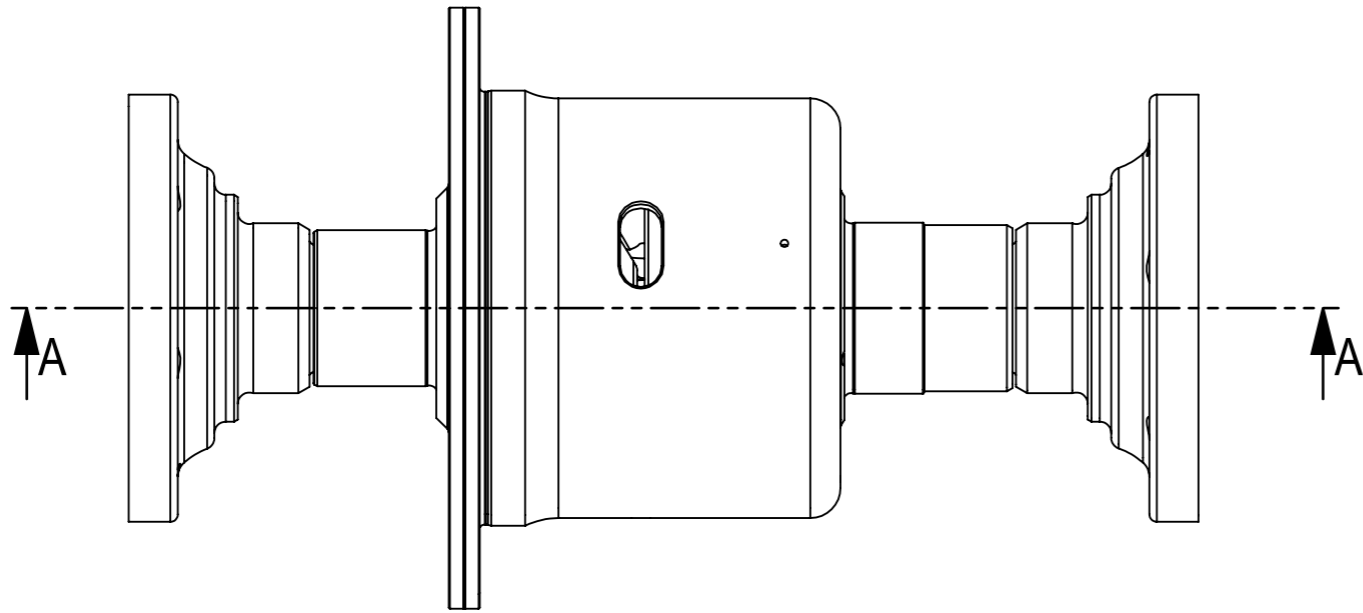
Rev.	Note	Date	Rev. By	Appr. By
A	Updated after migration	2018-05-22	JT	JG



Item	Qty.	Part No.	Description	Note
1	2	121008045-12.9FZ	Allen screw DIN912 M8 x 45 12.9Z	
2	2	15140800	Side Gear Nut	
3	6	27010100	Friction disc, Molybdenum coated	
4	5	27020300	Diffplate, 56T, 2.0 mm	
5	2	34050500	Cross Pin	
6	4	35380200	Planetary Gear	Differential
7	2	35401400	Side gear, 34mm spline	
8	1	39061500	Output flange L, Audi rear diff	(6x M10/dia94mm)
9	1	39061600	Output flange R, Audi rear diff	(6x M10/dia94mm)
10	1	57113000	Diffhousing, Audi rear diff	
11	1	57500200	Side shell	L=45
12	1	57500700	Ramp asymetric 30/80-40/80	
13	1	58261800	Diff end plate, Audi rear diff	

Ramp options			
Item	Part No.	Description	Note
12	57500100	Side shell	Symmetrical 30°/30° + 45°/45° L=49
12	57500700	Side shell	Asymmetrical 30°/80°+ 40°/80° L=49
12	57501200	Side shell	Symmetrical 55°/55° + 65°/65° L=49
12	57501300	Side shell	Asymmetrical 30°/60°+ 45°/60° L=49
12	57501400	Side shell	Asymmetrical 80°/30°+ 80°/45° L=49
12	57501500	Side shell	Asymmetrical 60°/30°+ 60°/45° L=49

Material		Description		Audi rear differential	
Geometric Tolerance	Sheet	Mass in Gram	Dim.in mm	Note	
	1/2	8978			
		Date	Proj	Part Number	Revision
				57901901	A
Drawn by	Designed by	Scale			
	JT	1:4			



Material		Description Audi rear differential		
Geometric Tolerance	Sheet 2/2	Mass in Gram 8978	Dim.in mm	Note
TRACTIVE		Date	Proj	Part Number
		Drawn by	Designed by JT	Scale 1:2
				Revision 57901901 A

Rev.	Note	Date	Rev. By	Appr. By
A	Updated after migration	2018-05-22	JT	JG