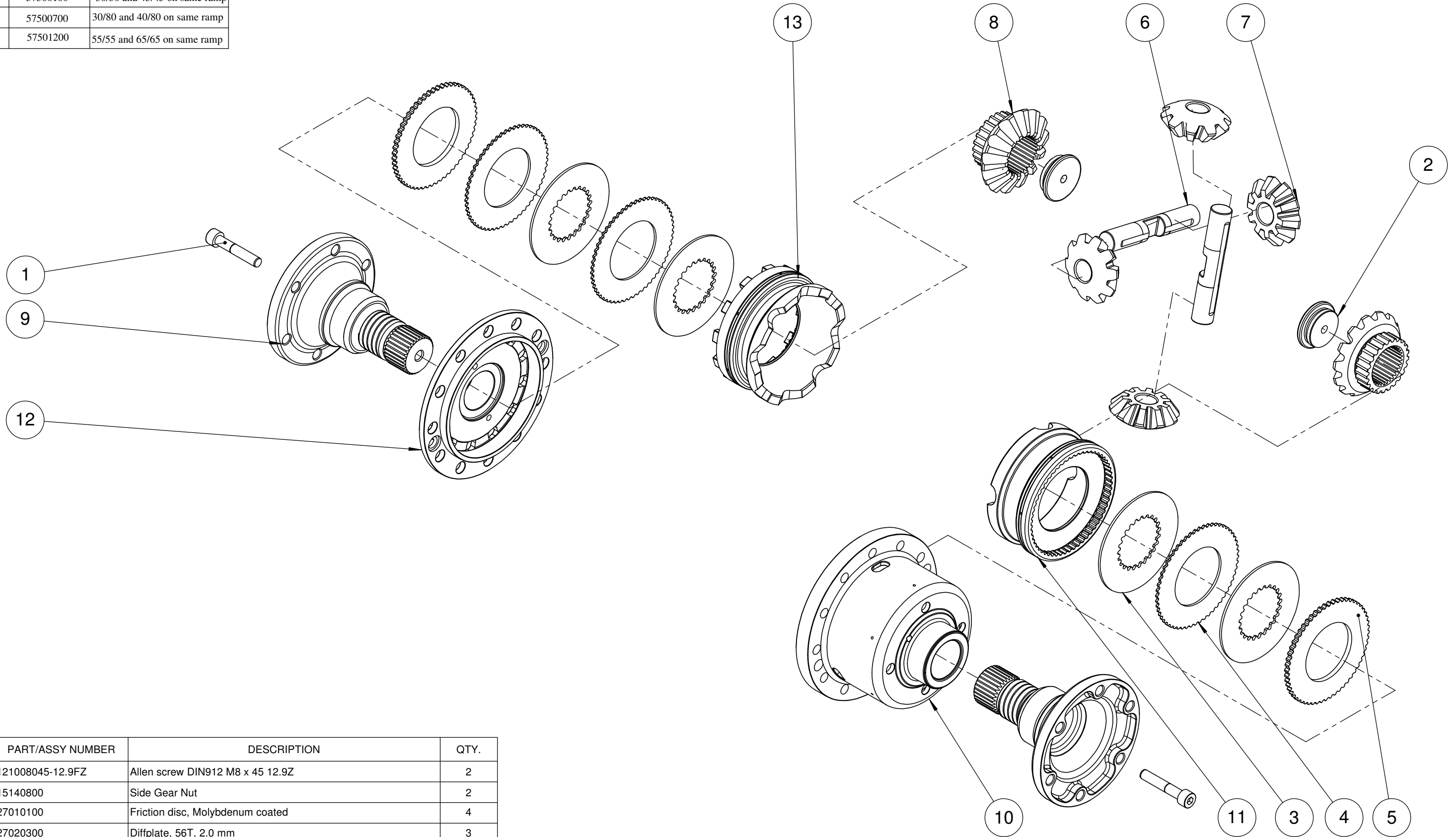
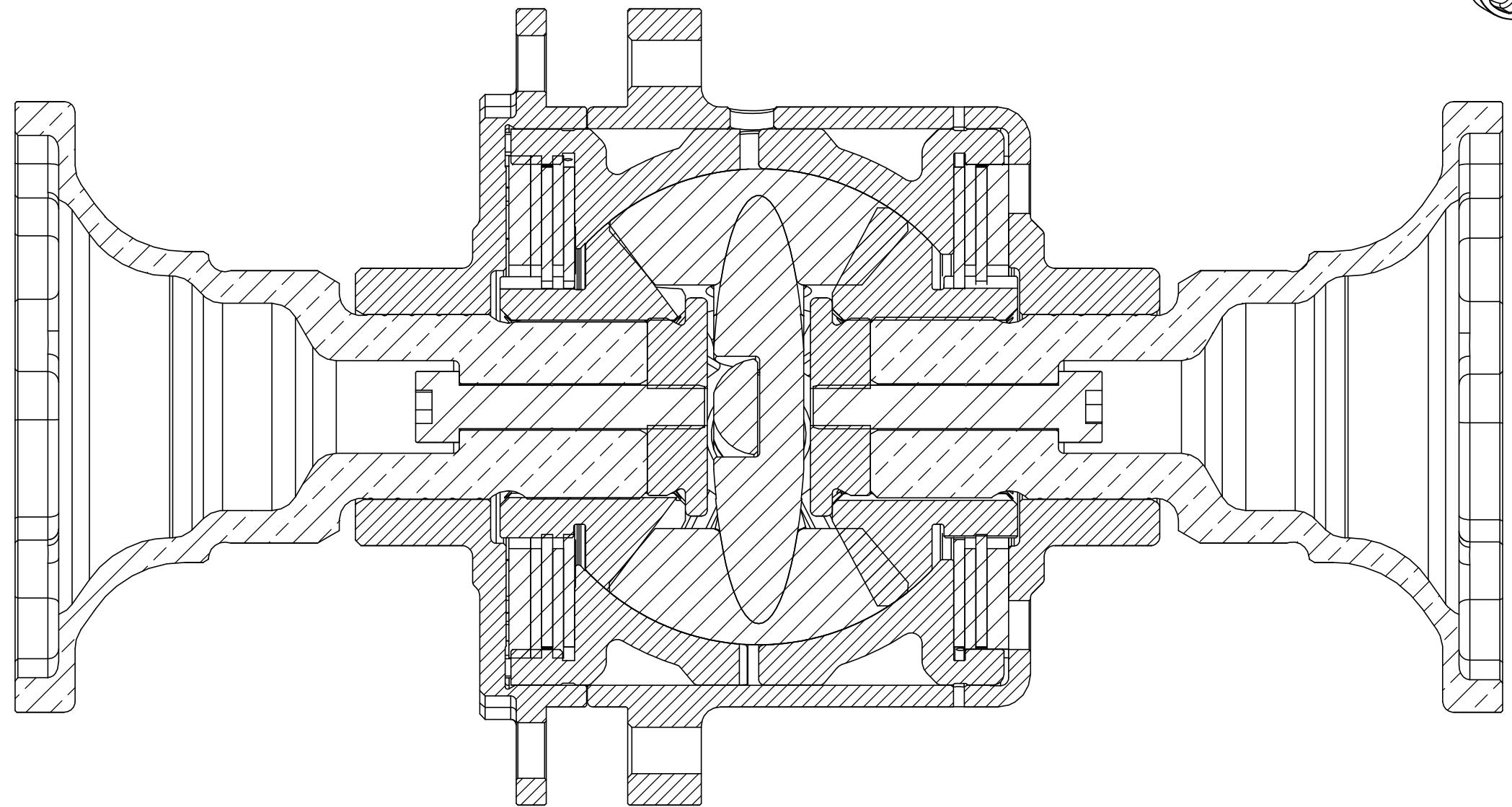
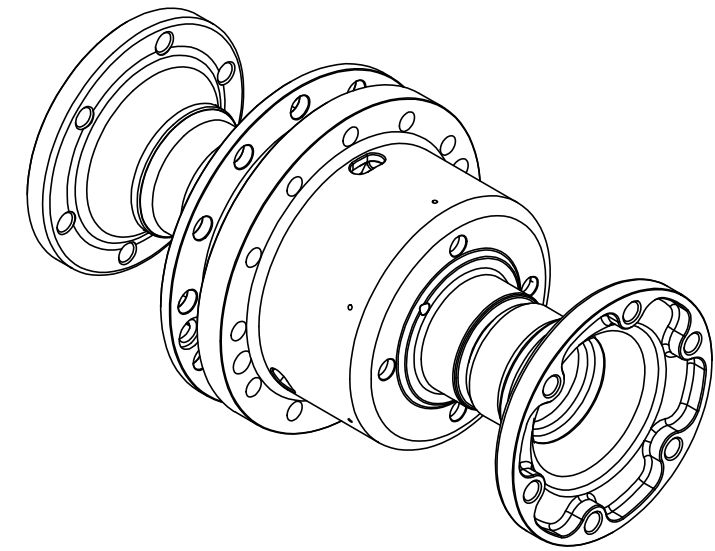


RAMP OPTIONS		
ITEM NO.	PART NUMBER	DESCRIPTION
13	57500100	30/30 and 45/45 on same ramp
13	57500700	30/80 and 40/80 on same ramp
13	57501200	55/55 and 65/65 on same ramp

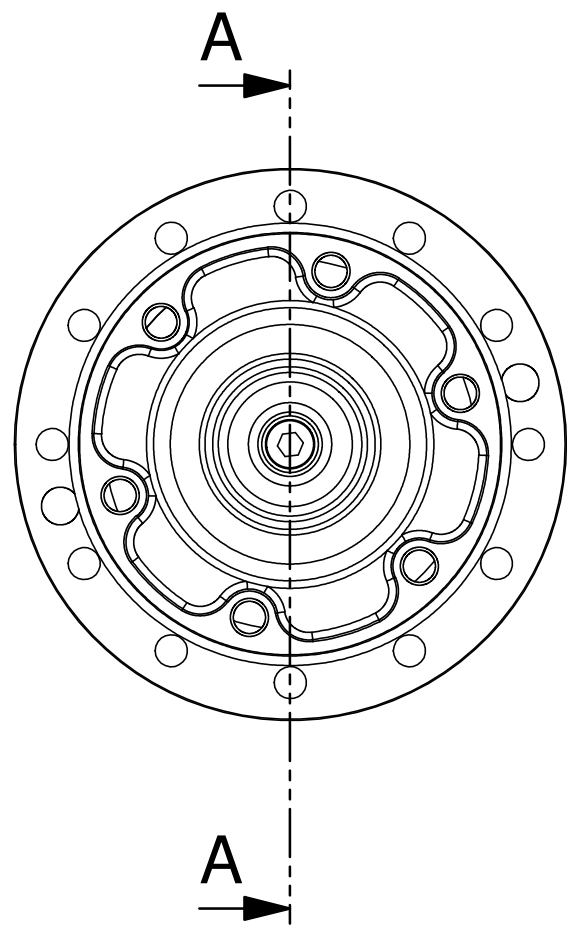



ITEM NO.	PART/ASSY NUMBER	DESCRIPTION	QTY.
1	121008045-12.9FZ	Allen screw DIN912 M8 x 45 12.9Z	2
2	15140800	Side Gear Nut	2
3	27010100	Friction disc, Molybdenum coated	4
4	27020300	Diffplate, 56T, 2.0 mm	3
5	27020340	Diffplate, 56T, 4.0 mm	2
6	34050500	Cross Pin	2
7	35380200	Planetary gear	4
8	35401400	Side gear, 34mm spline	2
9	39061400	Driveshaft	2
10	57112900	Diff housing	1
11	57500200	Side shell	1
12	58261700	Diff cover	1
13	See options list	Side Shell	1

Assy. Number	57901801		
Assy. Description	Diff, Ferarri 308/Lancia stratos		
Date		 Gjutargatan 54 S-781 70 Borlänge Tel +46 243 22 11 55 Fax +46 243 22 11 80 www.tractive.se / www.pentruder.com	
Revision	--05		
Drawn			
Approved			
Supercedes			
<small>THIS DRAWING IS THE PROPERTY OF Tractive AB. ITS SUBMISSION DOES NOT INCLUDE OR CARRY THE RIGHT TO MAKE, USE OR SELL WHAT IS ILLUSTRATED WITHOUT THE WRITTEN CONSENT OF Tractive AB.</small>		Scale	1:3
		Drawing Size	A3
			SHEET 1 OF 2



A-A



Assy. Number		57901801	
Assy. Description		Diff, Ferarri 308/Lancia stratos	
Date		 Gjutargatan 54 S-781 70 Borlänge Tel +46 243 22 11 55 Fax +46 243 22 11 80 www.tractive.se / www.pentruder.com	
Revision	--05		
Drawn			
Approved			
Supersedes			
<small>THIS DRAWING IS THE PROPERTY OF Tractive AB. ITS SUBMISSION DOES NOT INCLUDE OR CARRY THE RIGHT TO MAKE, USE OR SELL WHAT IS ILLUSTRATED WITHOUT THE WRITTEN CONSENT OF Tractive AB.</small>		Scale	1:1
		Drawing Size	A3
		SHEET 2 OF 2	